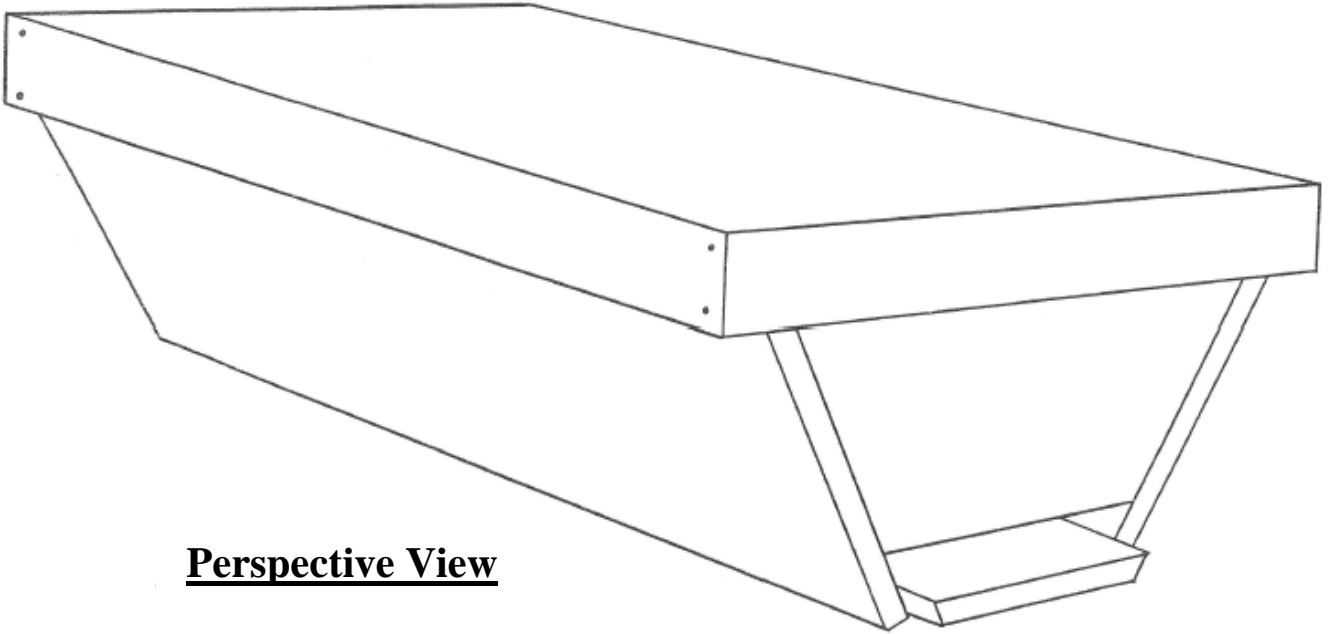
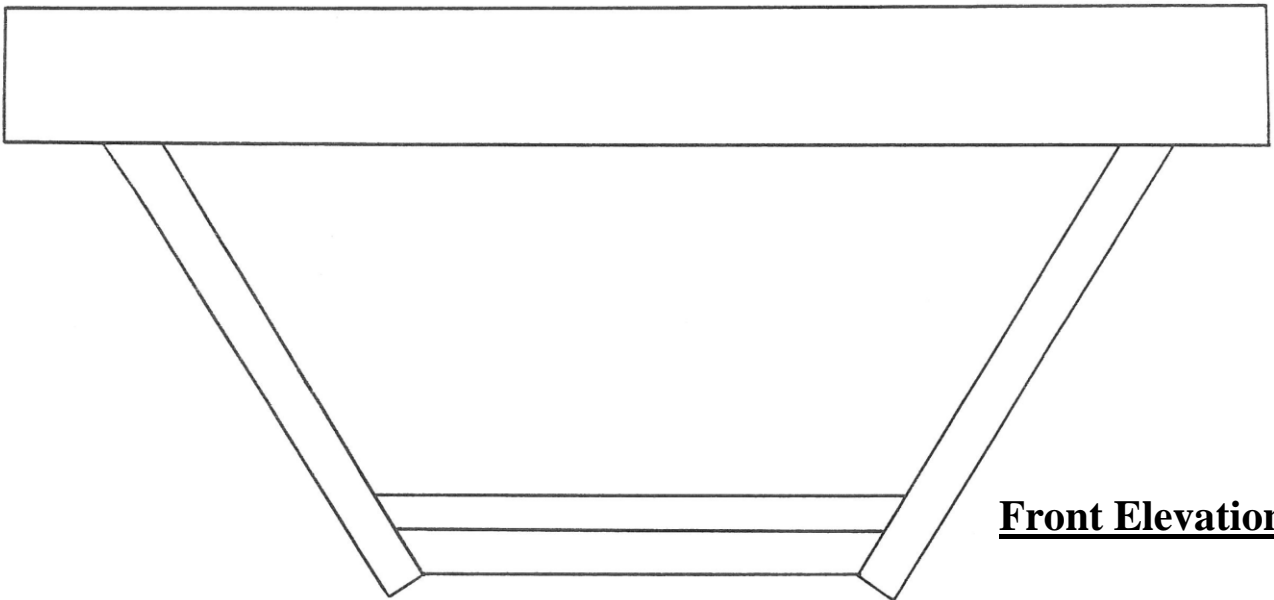


Hobby Hive Plans

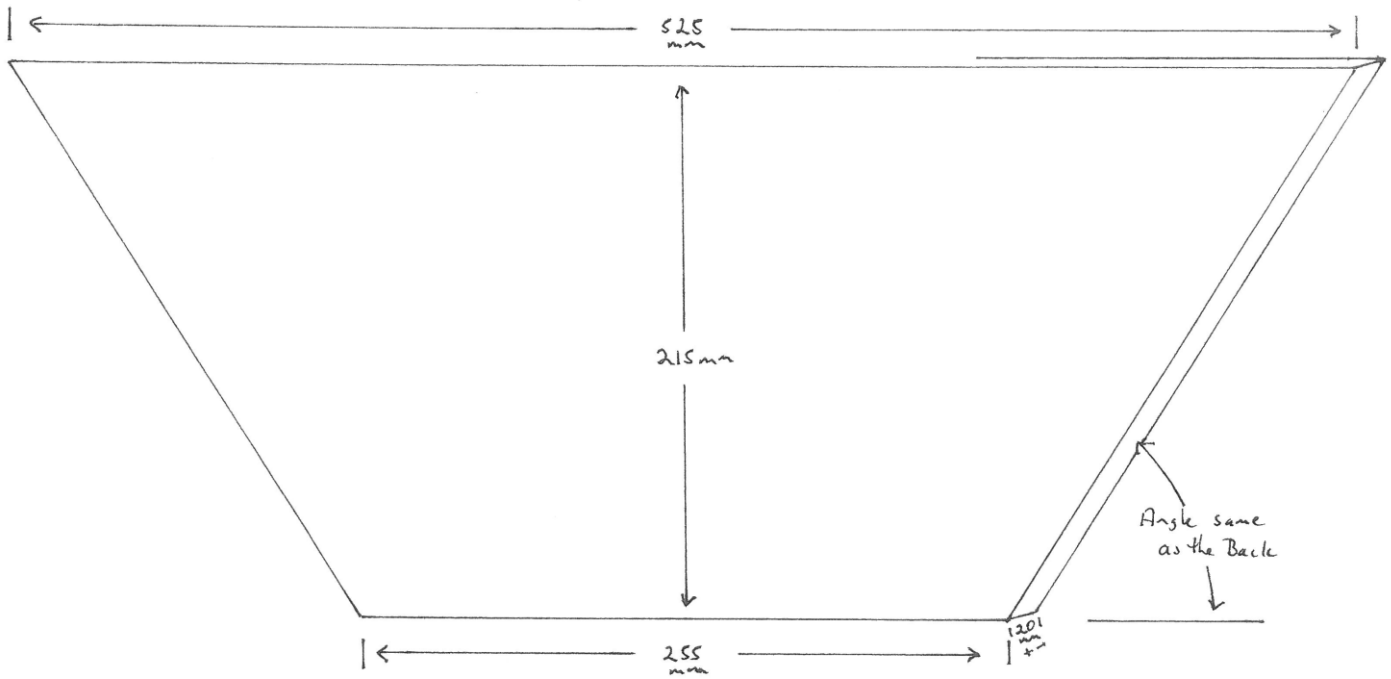


Perspective View

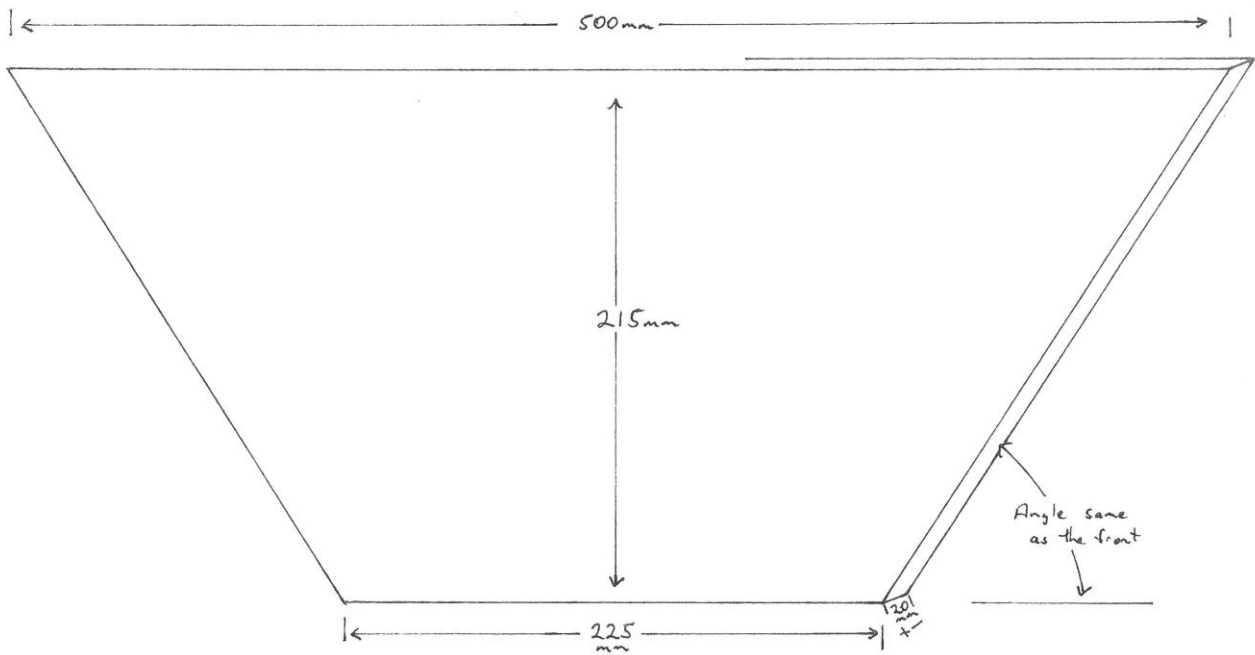


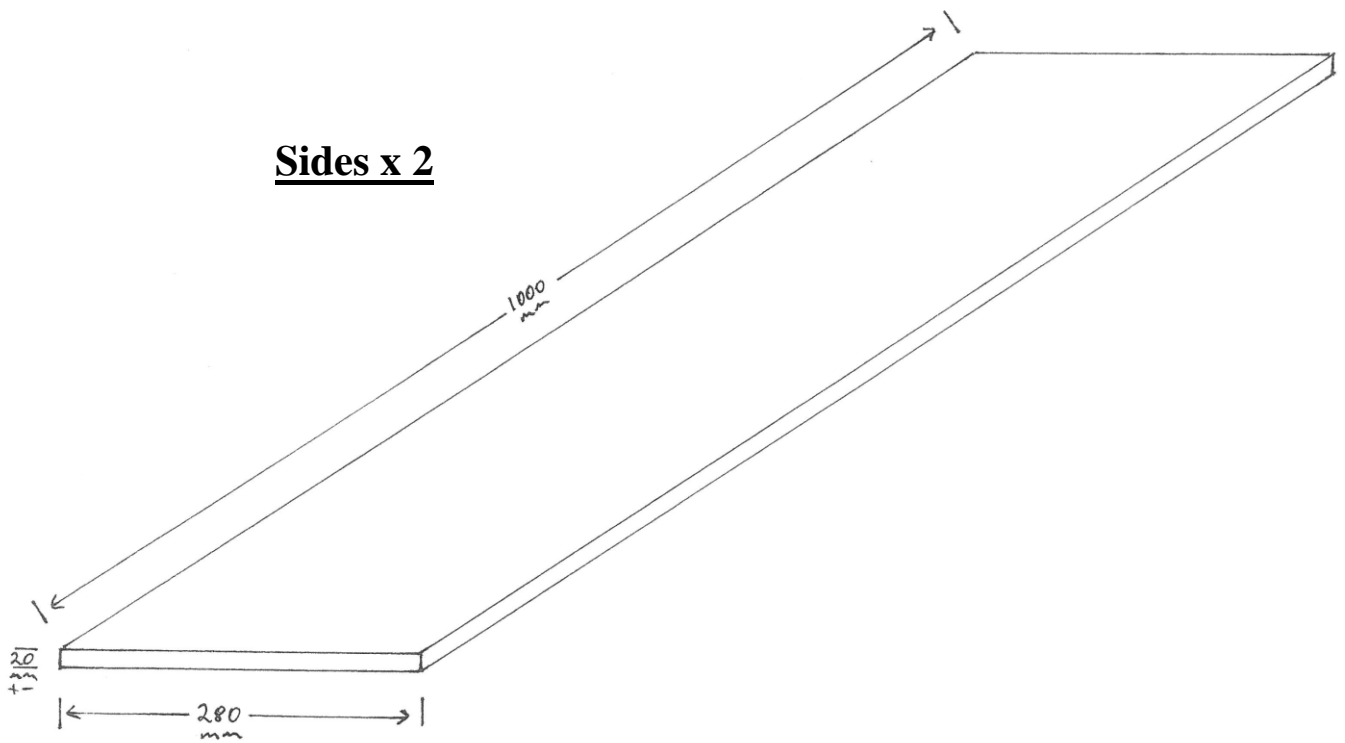
Front Elevation

Front

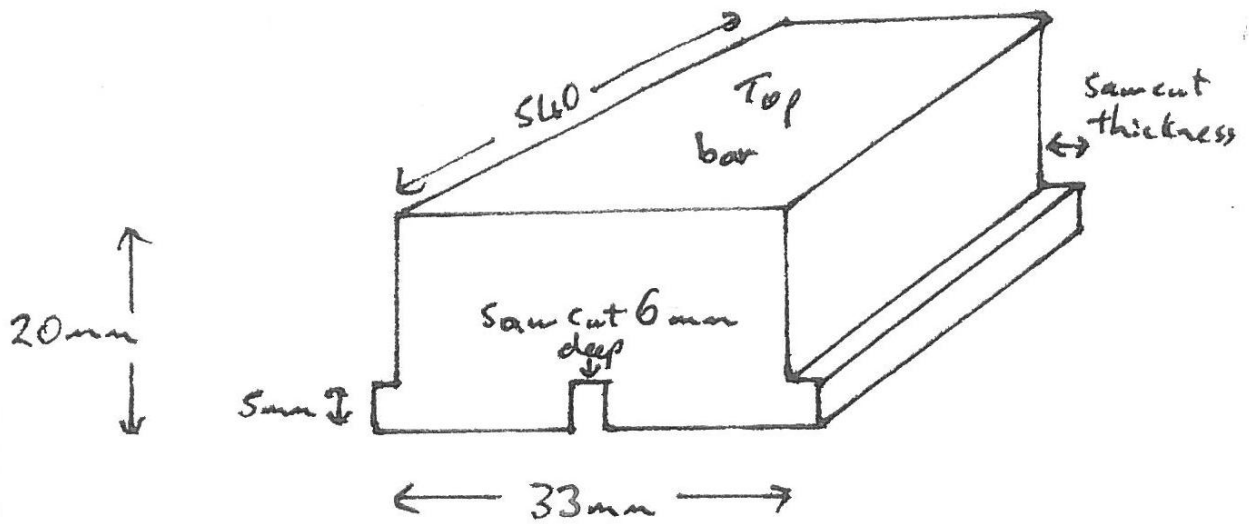


Back



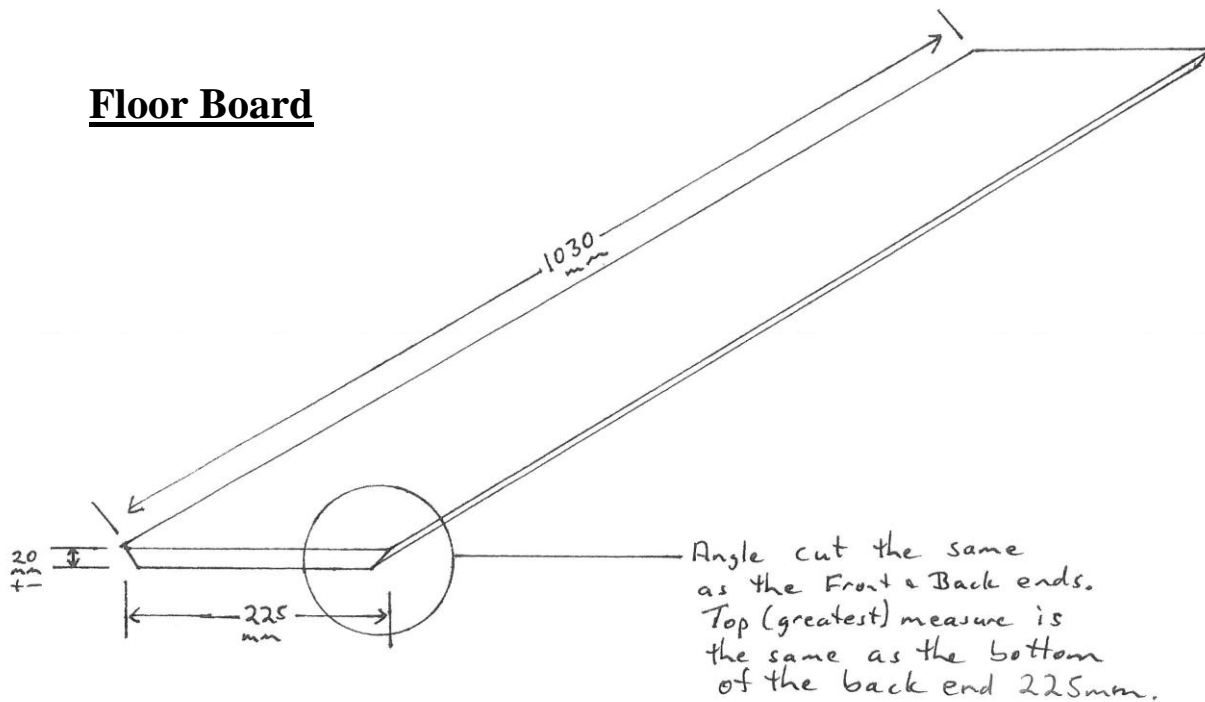


Top Bar



27 per hive
 + 5 for harvesting
 32 total per hive

Floor Board



Assembly Instruction

Always use untreated timber for beehives.

Clearly identify the front and back ends. They are both the same depth from top to bottom.

The front rises above the sides so that the top bars can be pushed up to it and leaves a gap below for the entrance of the hive.

The back on the other hand is flush with the sides at the top and attached to the base.

Assemble in this order:

1. Screw (or nail) the base to the back end.
2. Screw the sides to the back end.
3. Screw the sides to the base
4. Lastly screw the front end to the sides leaving the space at the bottom for the hive entrance.